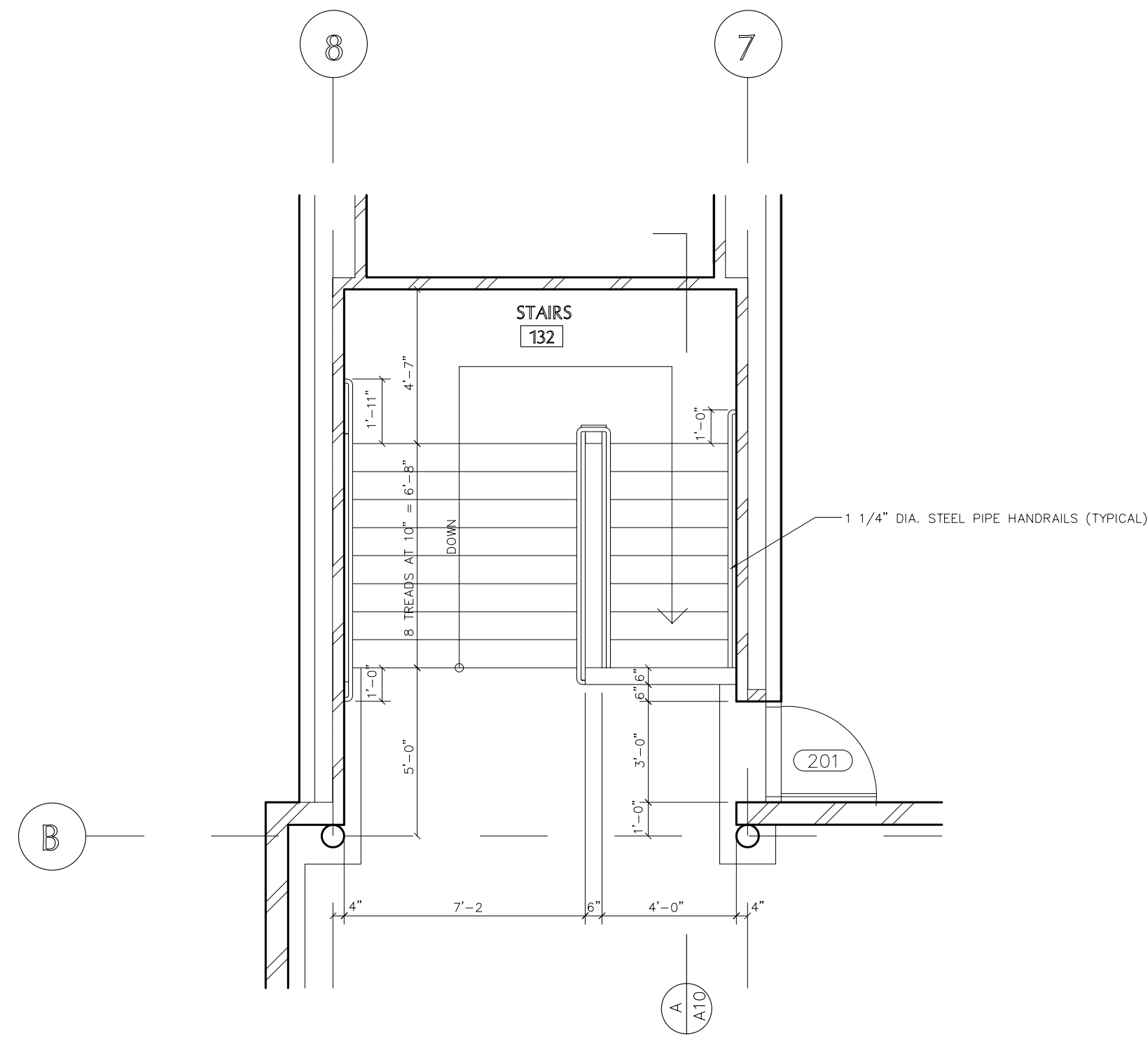
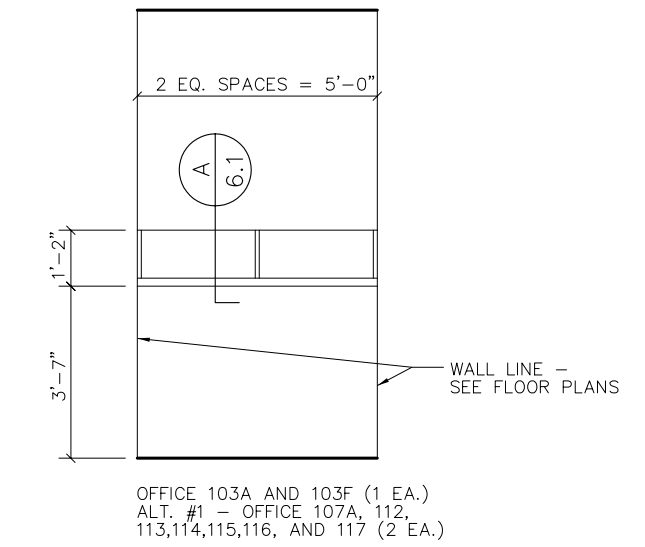


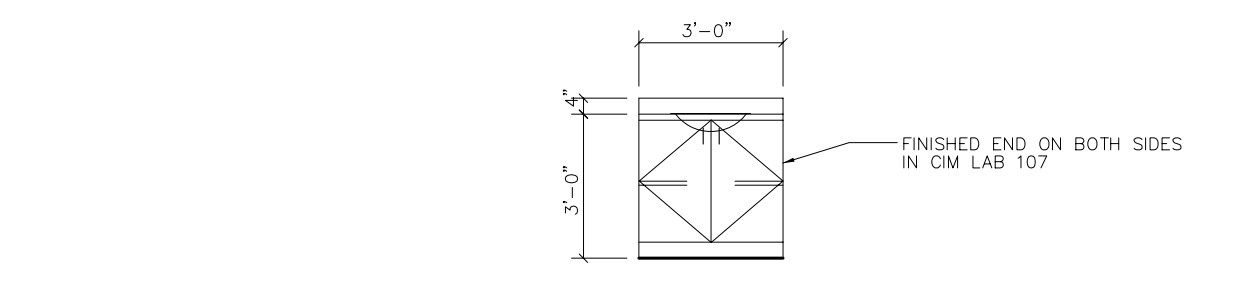
GENERAL MILLWORK NOTES:
 ALL MILLWORK IS PLASTIC LAMINATE CONSTRUCTION.
 ALL WALL CABINETS ARE 12" CLEAR INSIDE DEPTH UNLESS NOTED OTHERWISE.
 ALL BASE CABINETS ARE 24" OUTSIDE DEPTH UNLESS NOTED OTHERWISE.



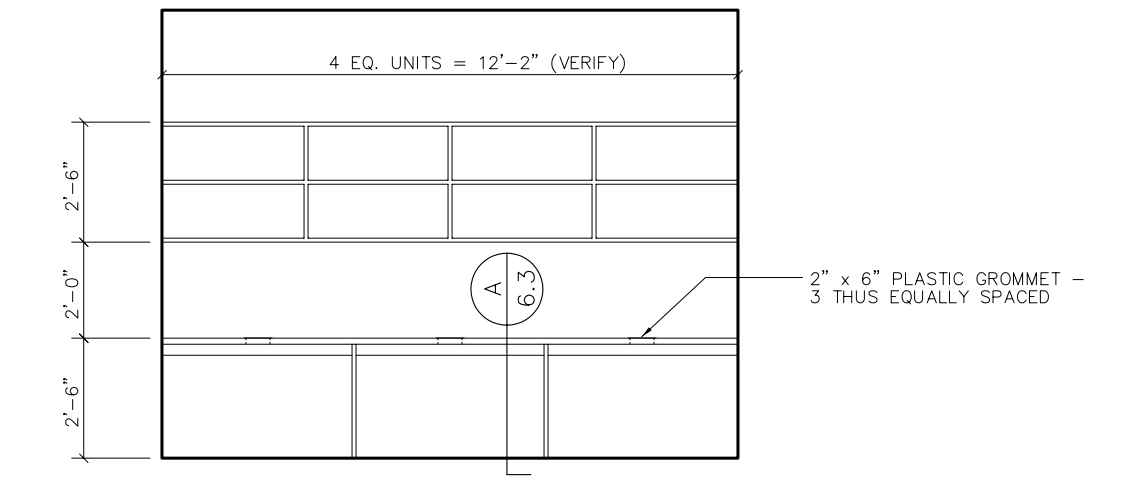
ENLARGED STAIR PLAN
1/4"=1'-0"



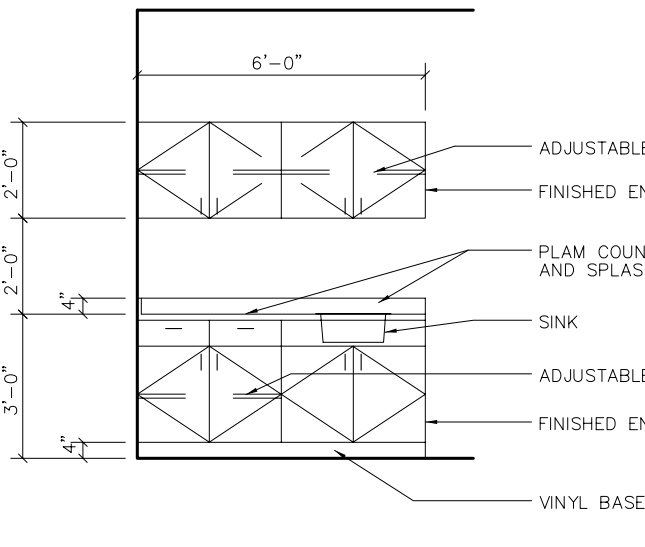
ELEVATION
1/4"=1'-0"



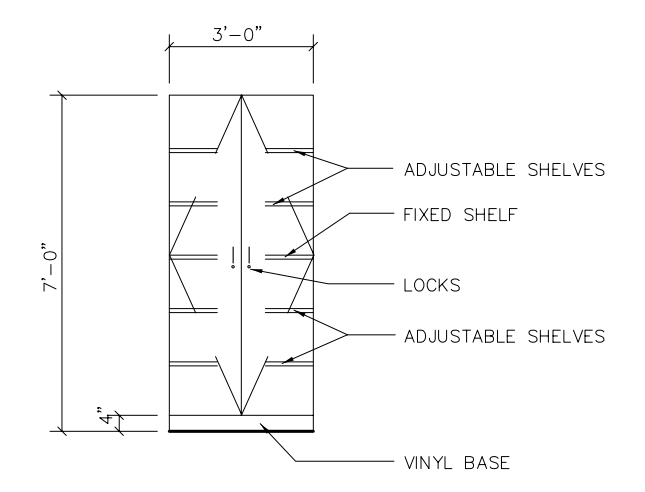
ELEV. - INDUSTRY TRAINING 106 / CIM LAB 107 (ALTERNATE No. 1)
1/4"=1'-0"



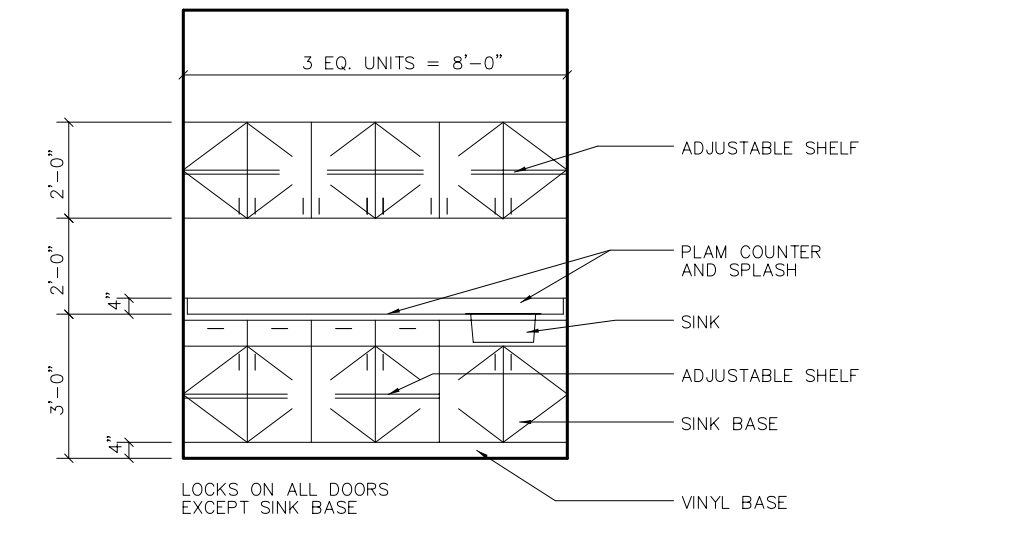
ELEV. - HARDWARE SPECIALIST 107B (ALTERNATE No.1)
1/4"=1'-0"



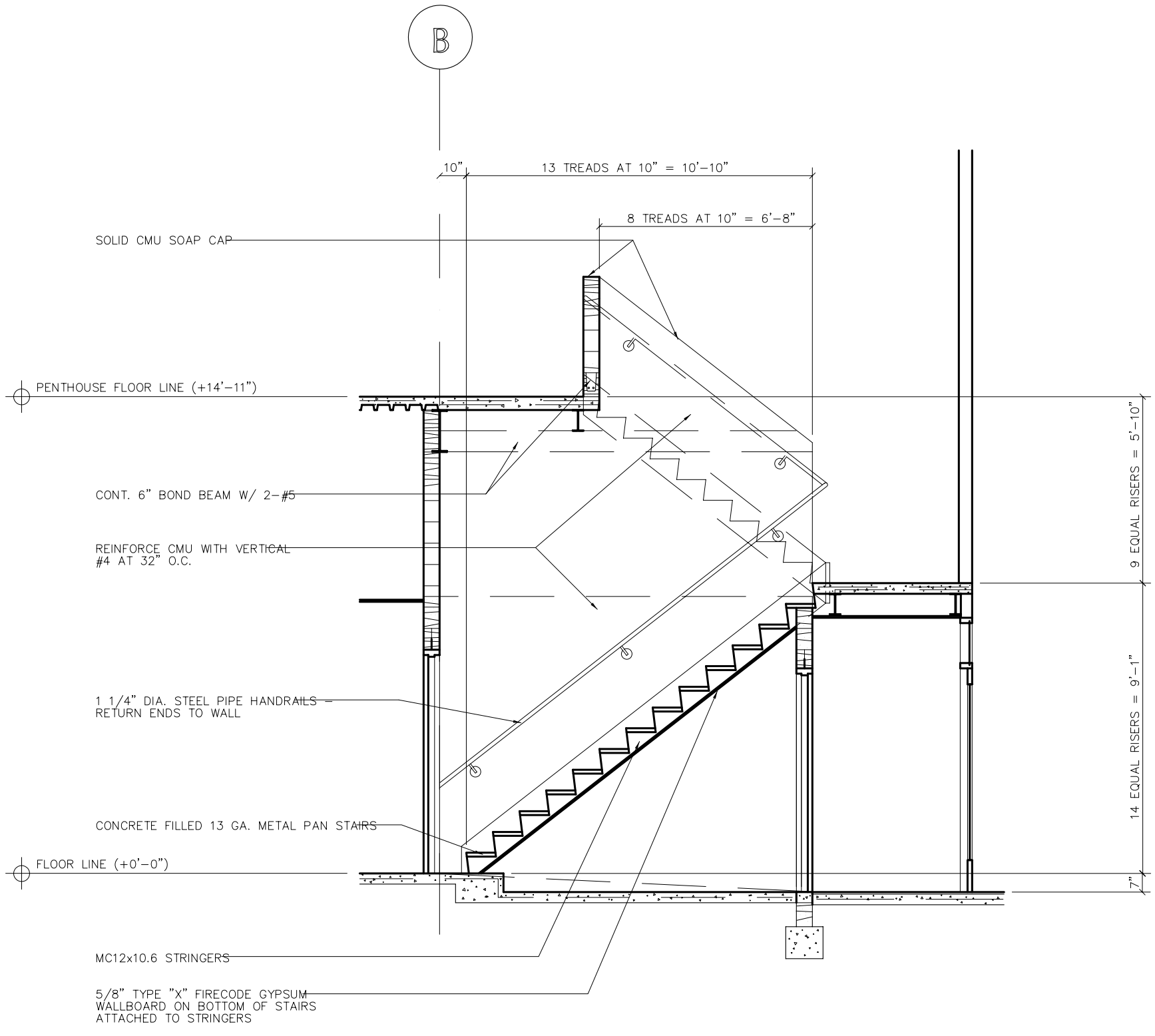
ELEVATION - DRAFTING 101
1/4"=1'-0"



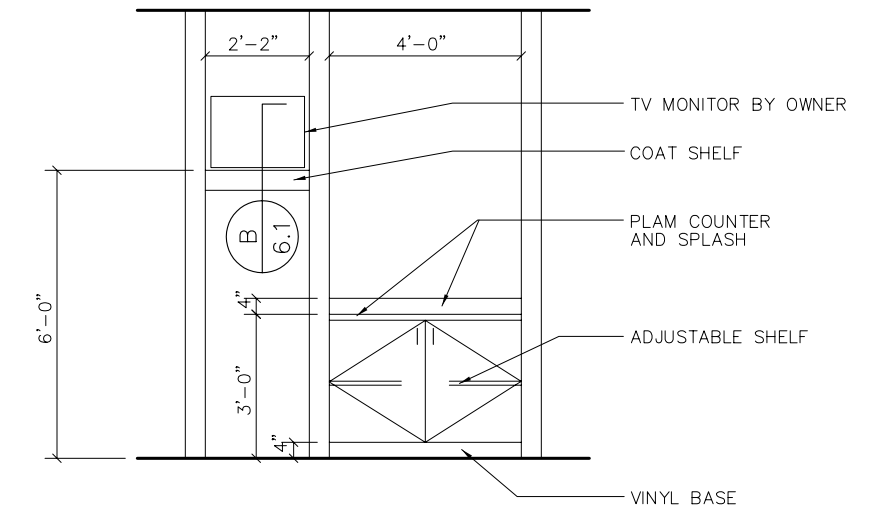
ELEVATION - CADD 102
1/4"=1'-0"



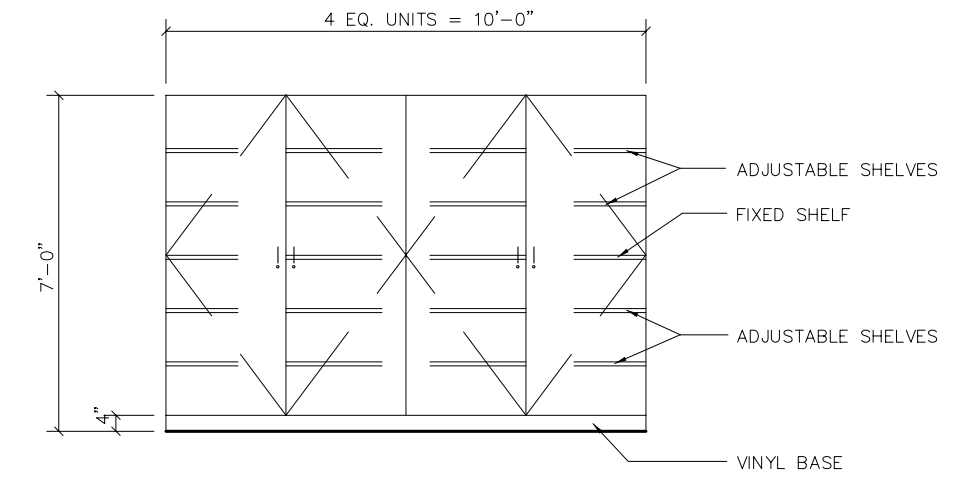
ELEVATION - CORRIDOR 139 (ALTERNATE No.1)
1/4"=1'-0"



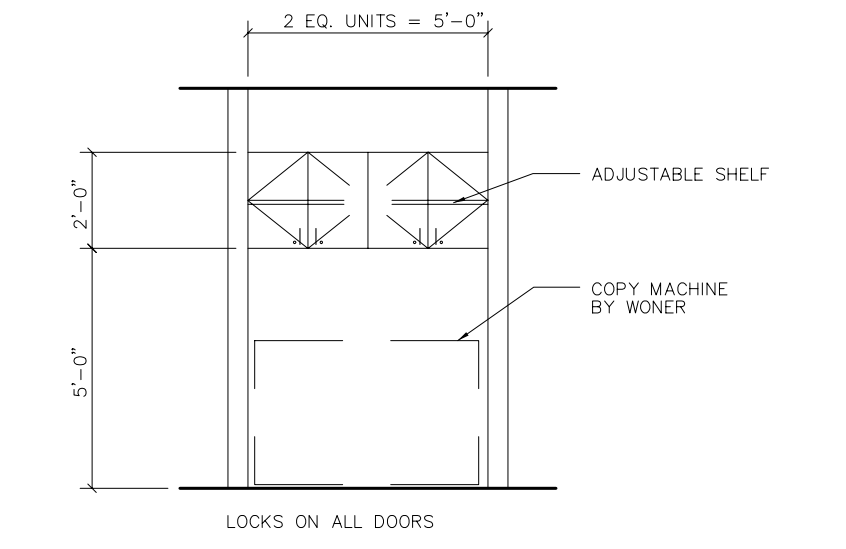
SECTION THRU STAIRS
1/4"=1'-0"



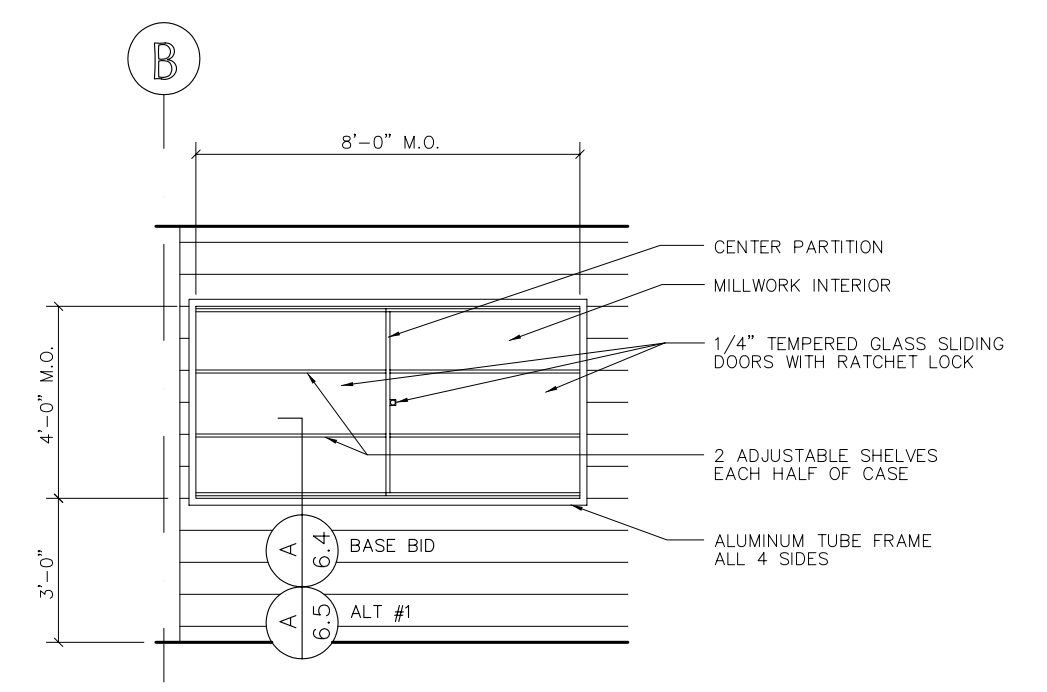
ELEV. - CONFERENCE 120 (ALTERNATE No.1)
1/4"=1'-0"



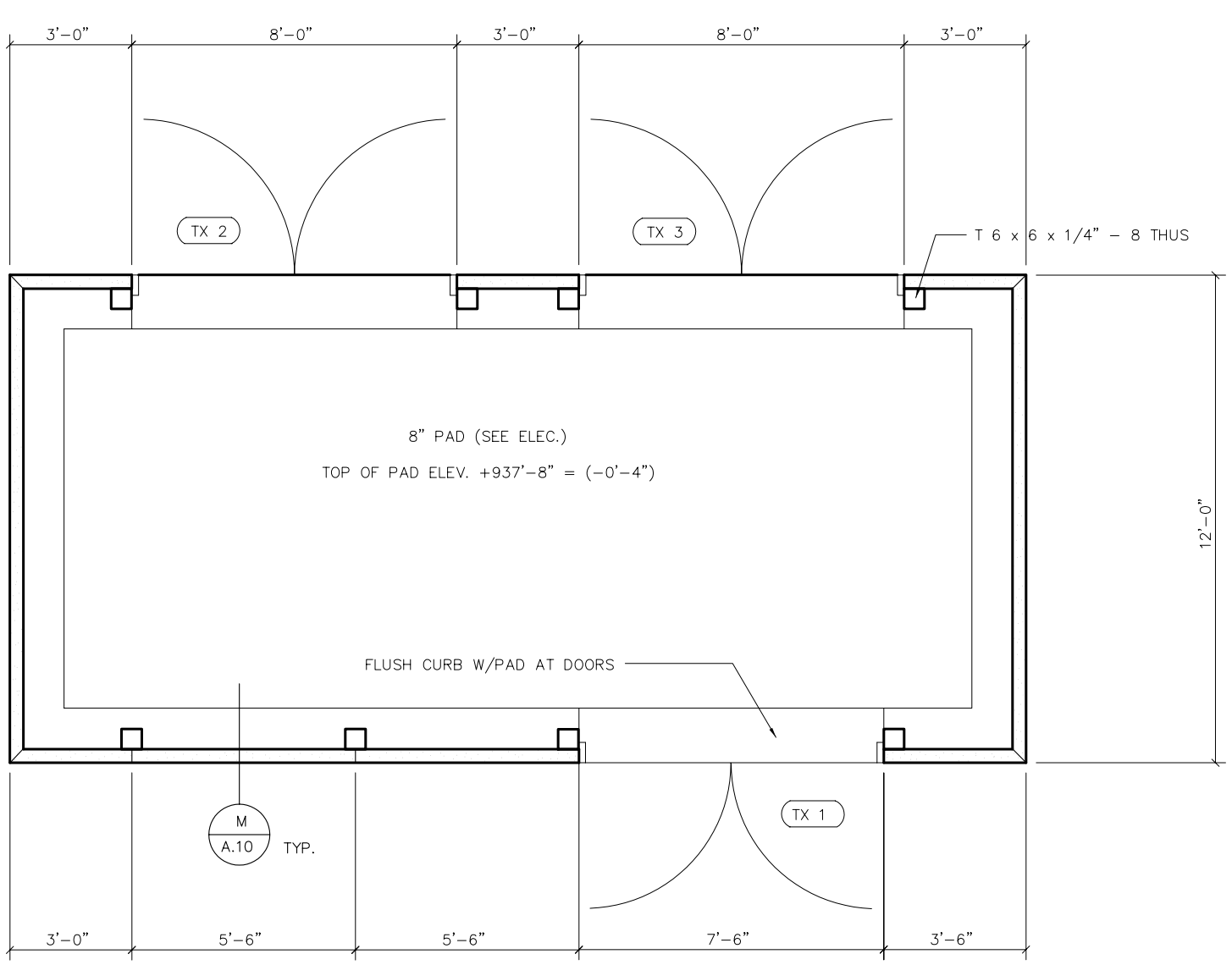
ELEV. - VIS LAB 104 (ALTERNATE No. 1)
1/4"=1'-0"



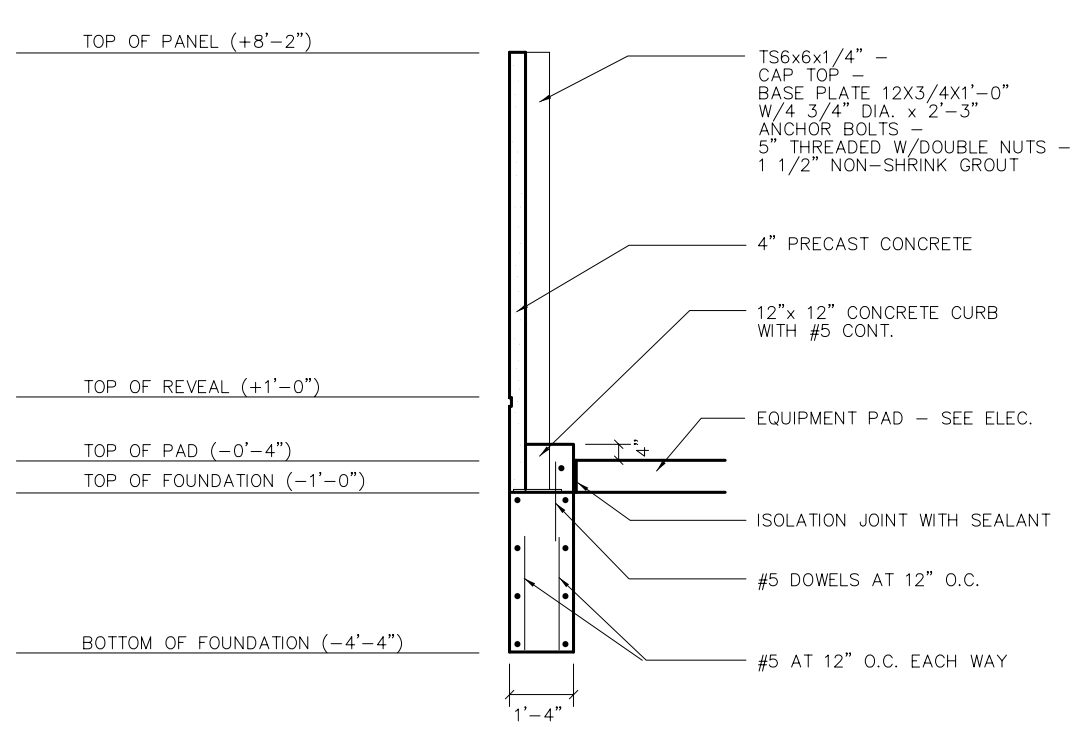
ELEV. - CORRIDOR 139 (ALTERNATE No. 1)
1/4"=1'-0"



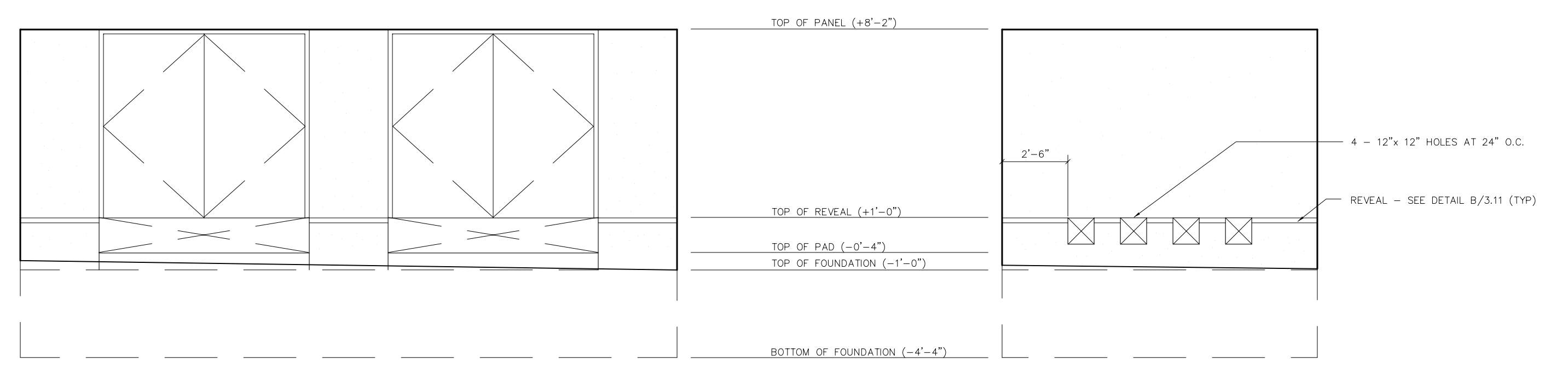
ELEVATION - HALL 133
1/4"=1'-0"



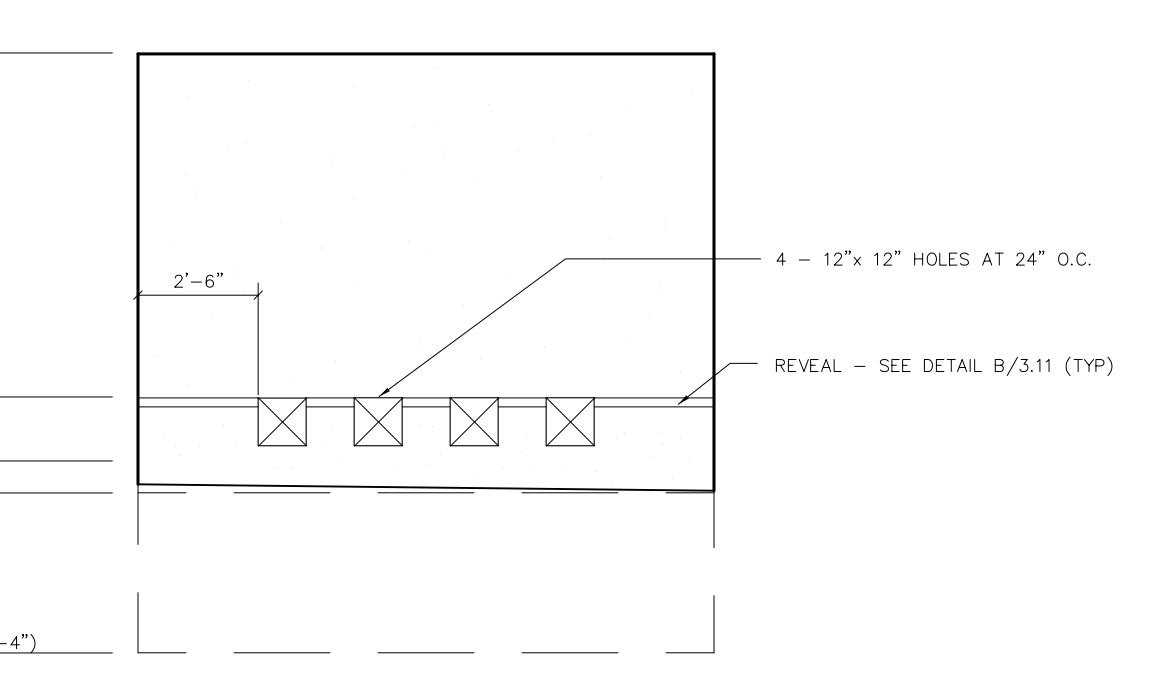
PLAN - TX ENCLOSURE
1/4"=1'-0"



TX ENCLOSURE - SECTION
1/4"=1'-0"



TX ENCLOSURE - WEST ELEV.
1/4"=1'-0"



TX ENCLOSURE - NORTH/SOUTH ELEV.
1/4"=1'-0"

ADVANCED TECHNOLOGY CENTER - DMACC
ANKENY, IOWA