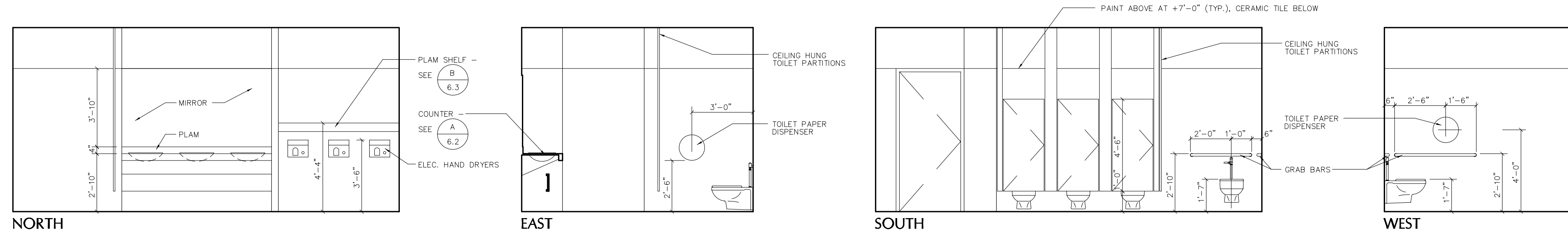
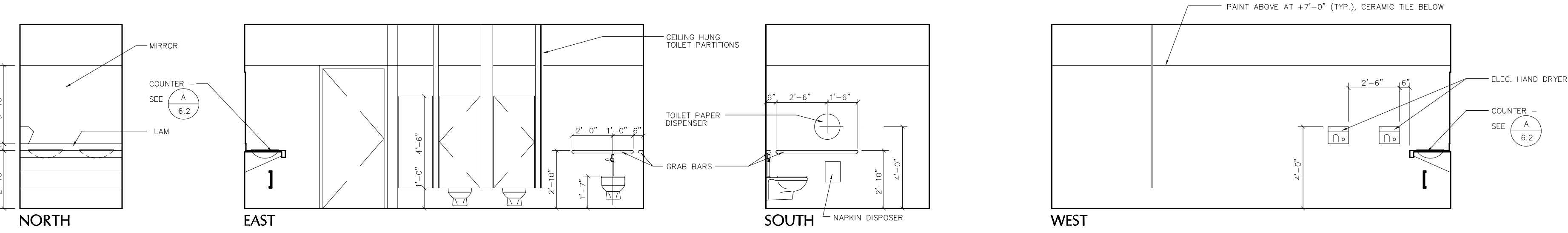


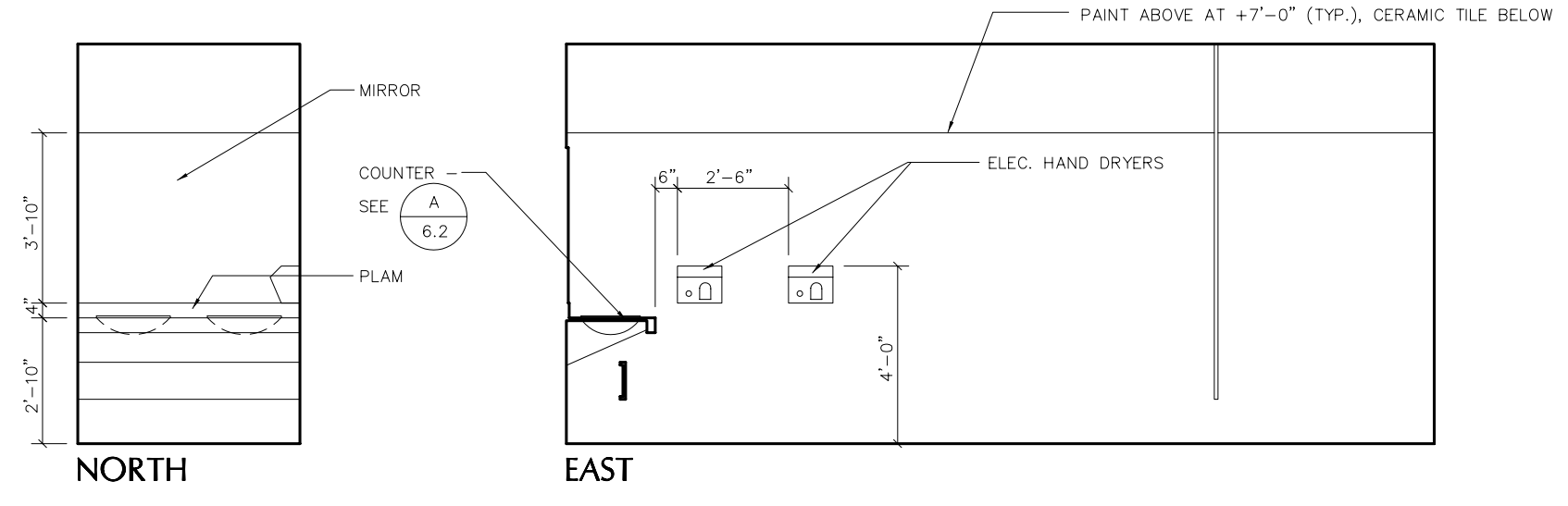
A INTERIOR WALL ELEVATIONS / MEN - 123
1/4"=1'-0"



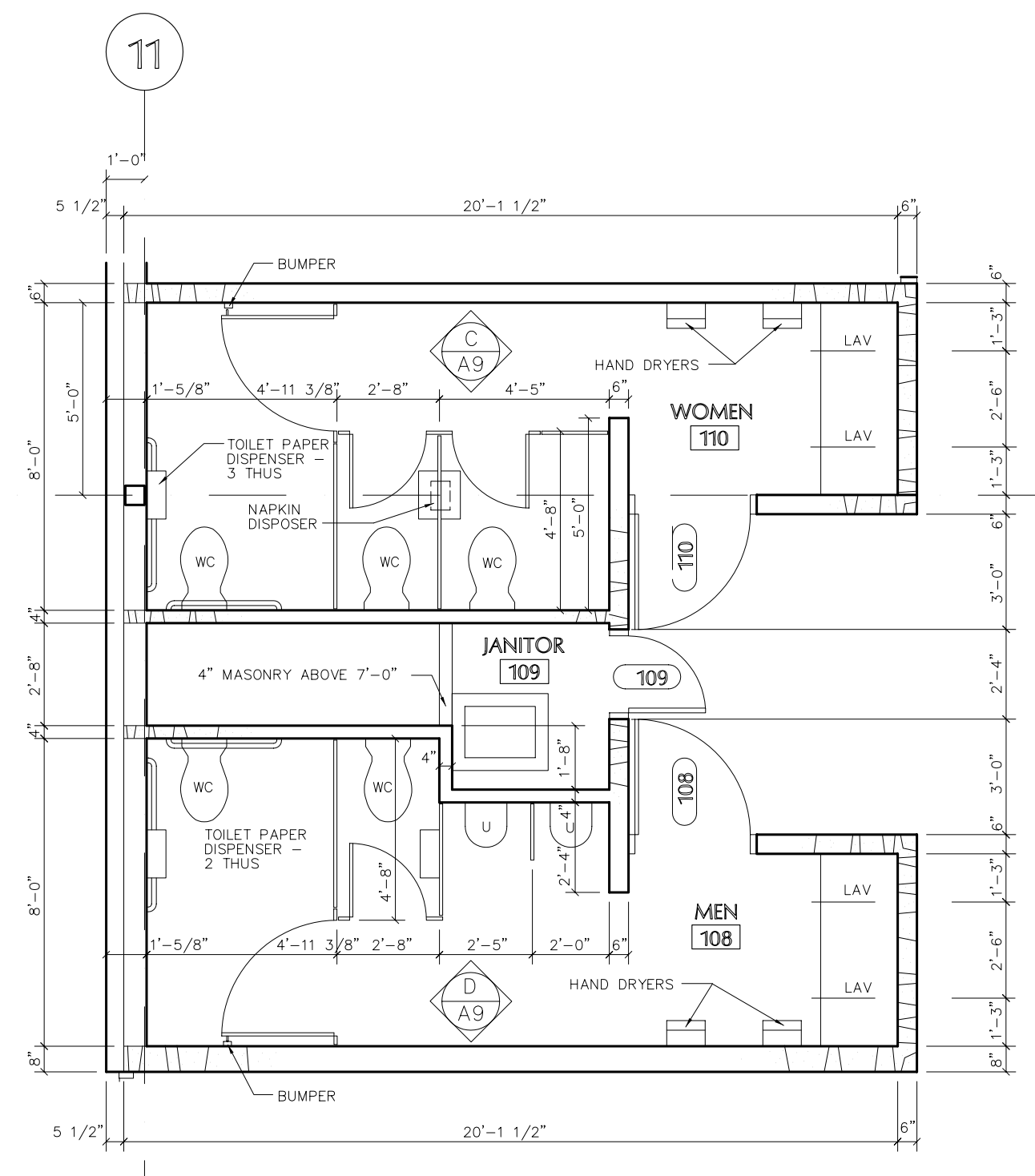
B INTERIOR WALL ELEVATIONS / WOMEN - 125
1/4"=1'-0"



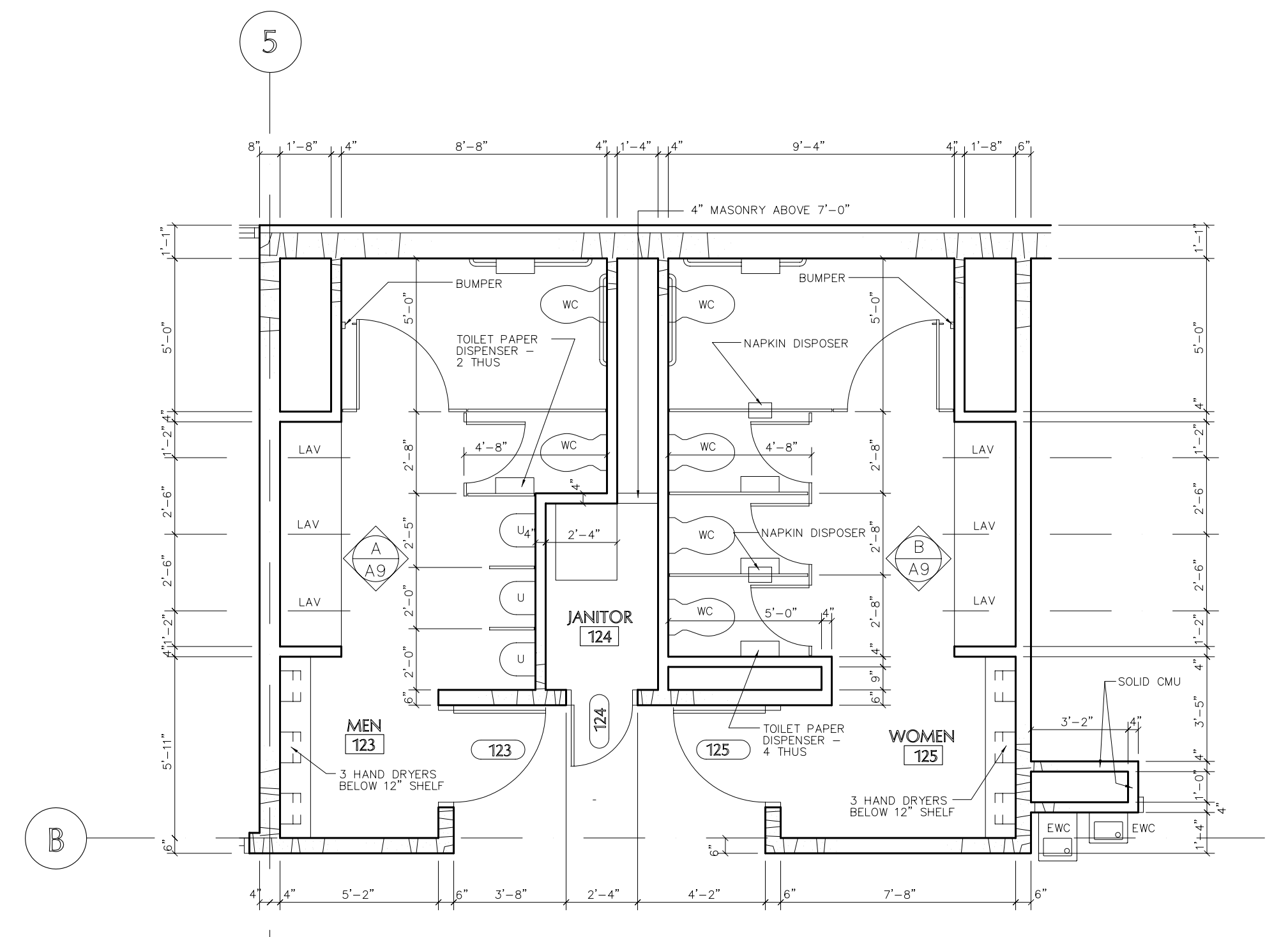
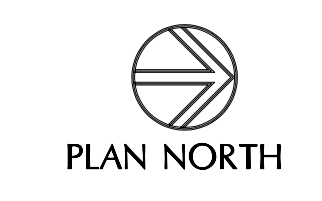
C INTERIOR WALL ELEVATIONS / WOMEN - 110 (ALTERNATE No. 1)
1/4"=1'-0"



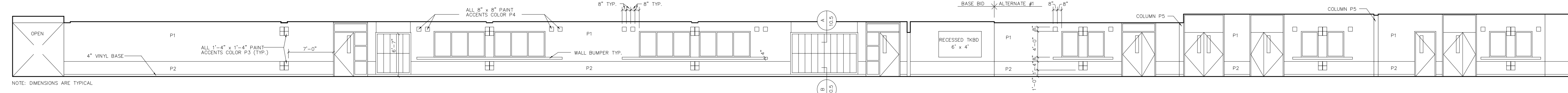
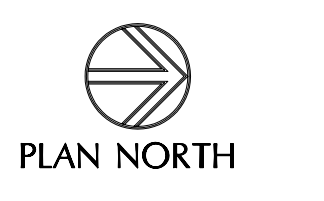
D INTERIOR WALL ELEVATIONS / MEN - 108 (ALTERNATE No.1)
1/4"=1'-0"



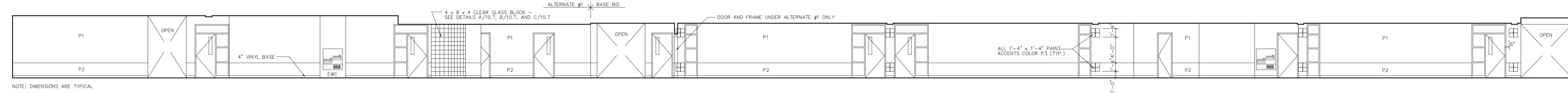
ENLARGED TOILET PLANS
(ALTERNATE No. 1)
1/4"=1'-0"



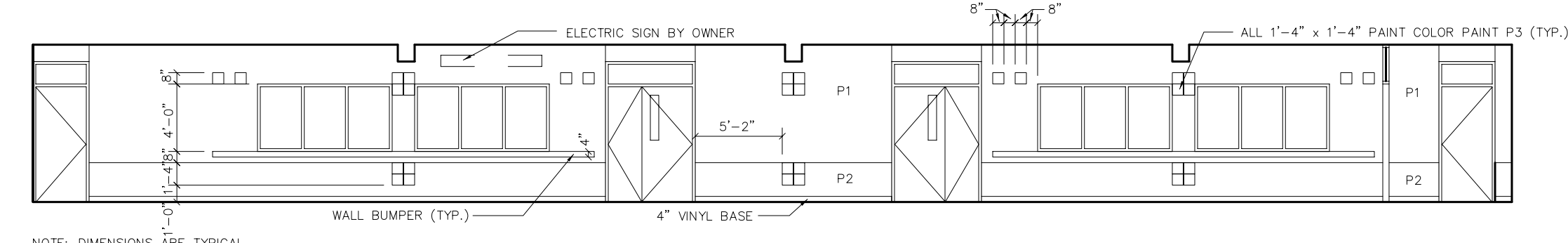
ENLARGED TOILET PLANS
1/4"=1'-0"



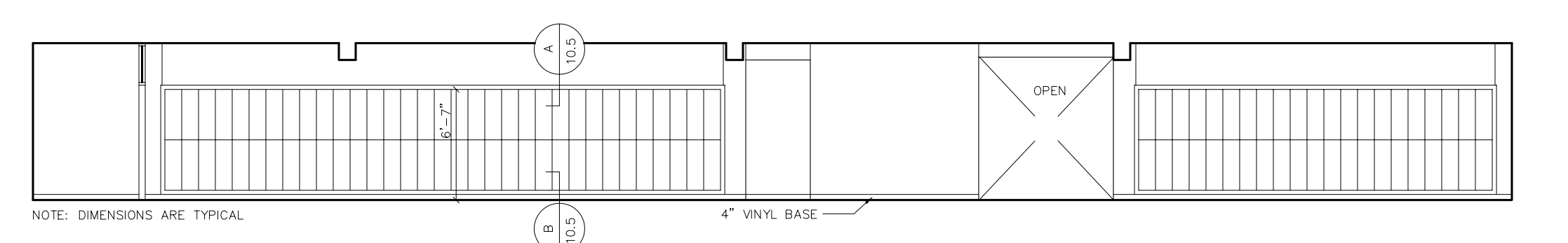
E EAST ELEVATION - CORRIDOR 131/137
1/8"=1'-0"



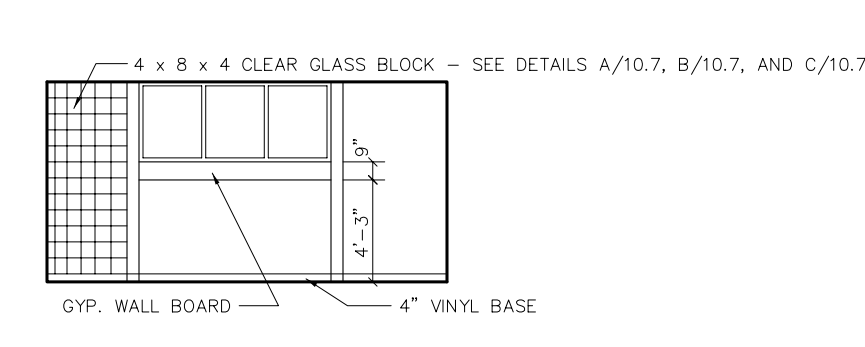
F WEST ELEVATION - CORRIDOR 131/137
1/8"=1'-0"



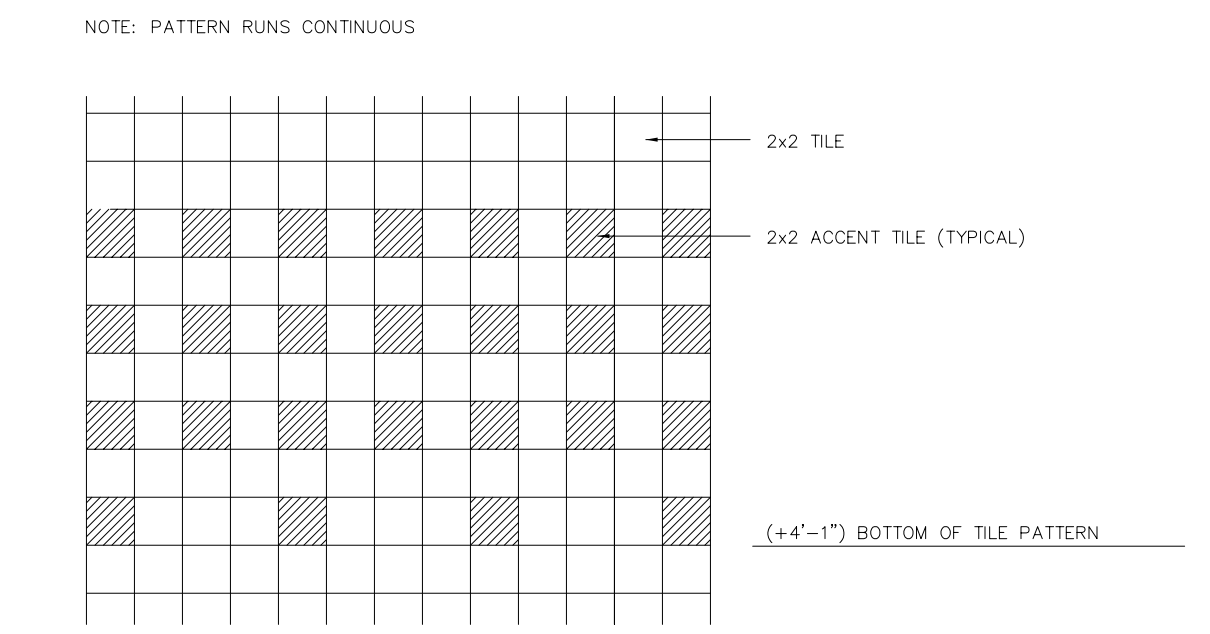
G NORTH ELEVATION - CORRIDOR 129
1/8"=1'-0"



H SOUTH ELEVATION - CORRIDOR 129
1/8"=1'-0"



J EAST ELEVATION - RECEPTION 135
1/8"=1'-0"



K CERAMIC TILE PATTERN
1 1/2"=1'-0"

ADVANCED
TECHNOLOGY
CENTER -
DMACC
ANKENY, IOWA